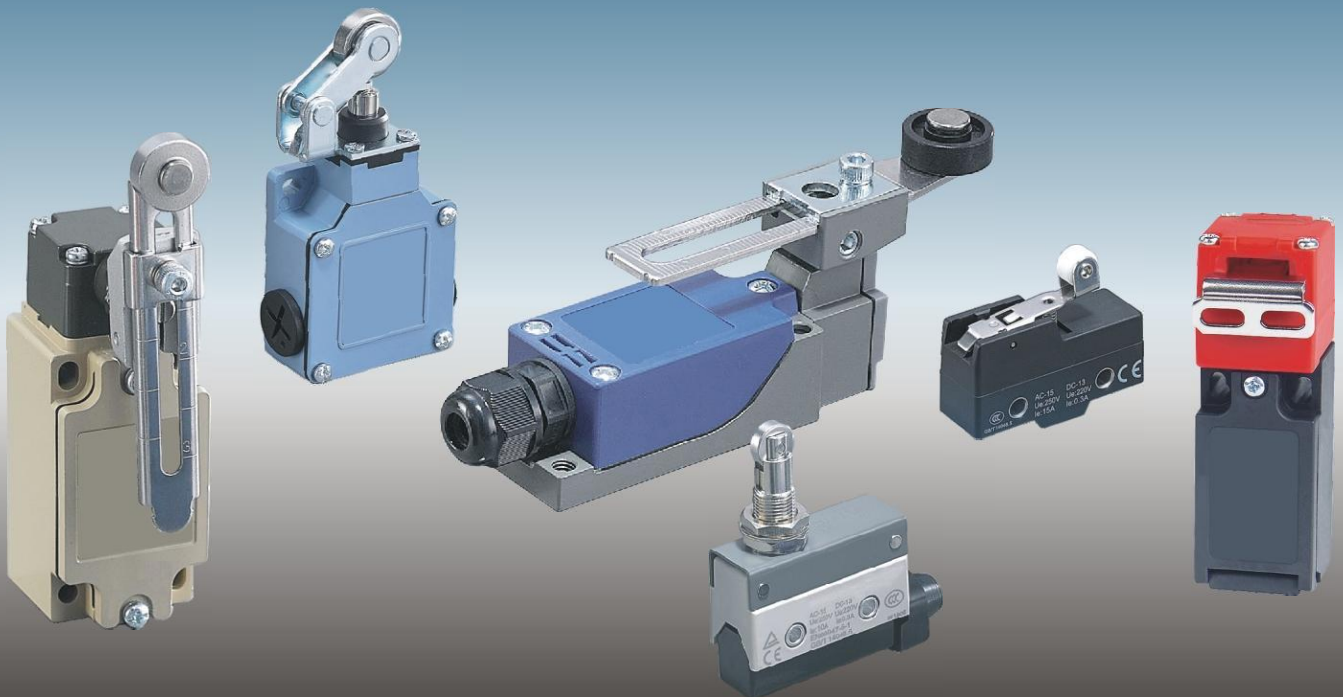


2019 | 2020

SUPAFLEX

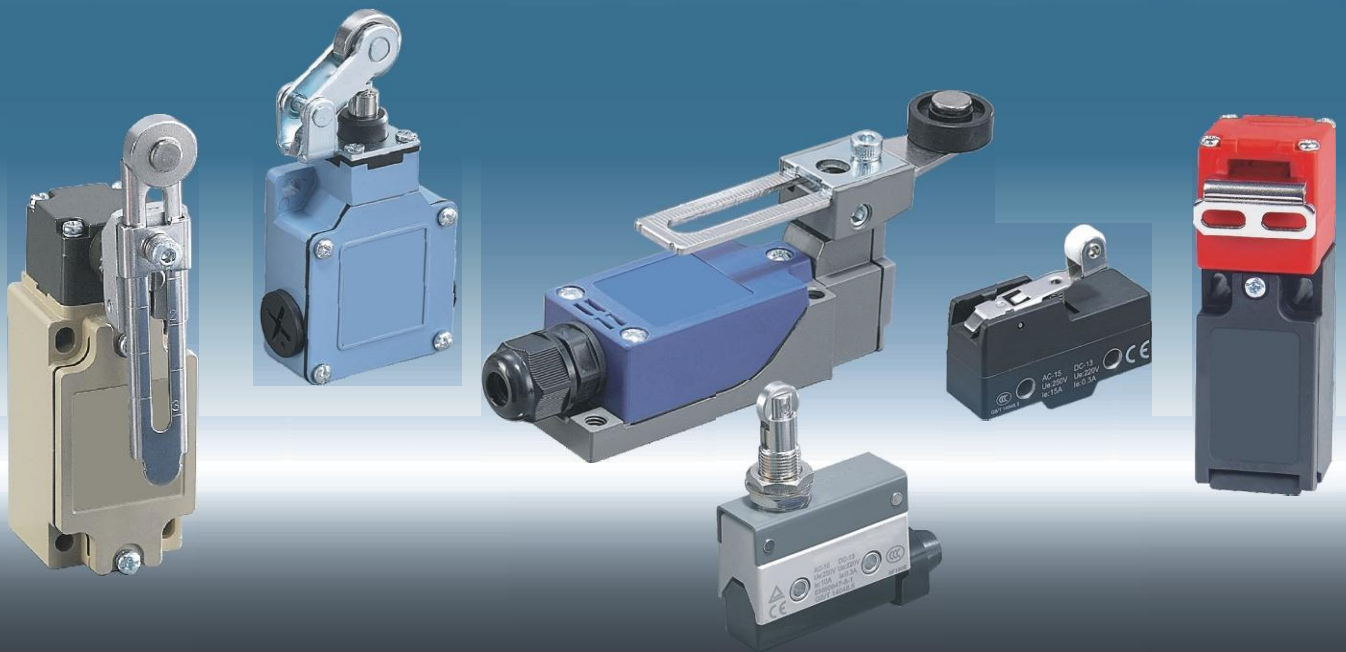
PRODUCT
CATALOG



Industrial SWITCHES

| LIMIT SWITCH | MICRO SWITCH | SAFETY KEY INTERLOCK SWITCH





Industrial SWITCHES



SUPAFLEX

Introduction

Supa Flex is one of the fastest growing companies in India, a privately owned company has unrivalled experience in the distribution of electrical products. With superior Technical support we are the experts you can rely on for your Cable protection needs. Our Customers are central to everything we do and our mission is to constantly exceed their expectations. Our ongoing commitment and dedication has seen us become globally recognised as a specialist in Cable Protection and Flexible Conduit Solutions.

Product Contents



PAGE
2 - 4

LIMIT SWITCH
SFTZ-8, SFSA, SFWL, SFHL, SFLS



PAGE
4

SAFETY KEY INTERLOCK SWITCH
SFZ-93



PAGE
5 - 7

MICRO SWITCH
SFM, SFZ-7, SFMV10, SFMV16



SFTZ-8 LIMIT SWITCH



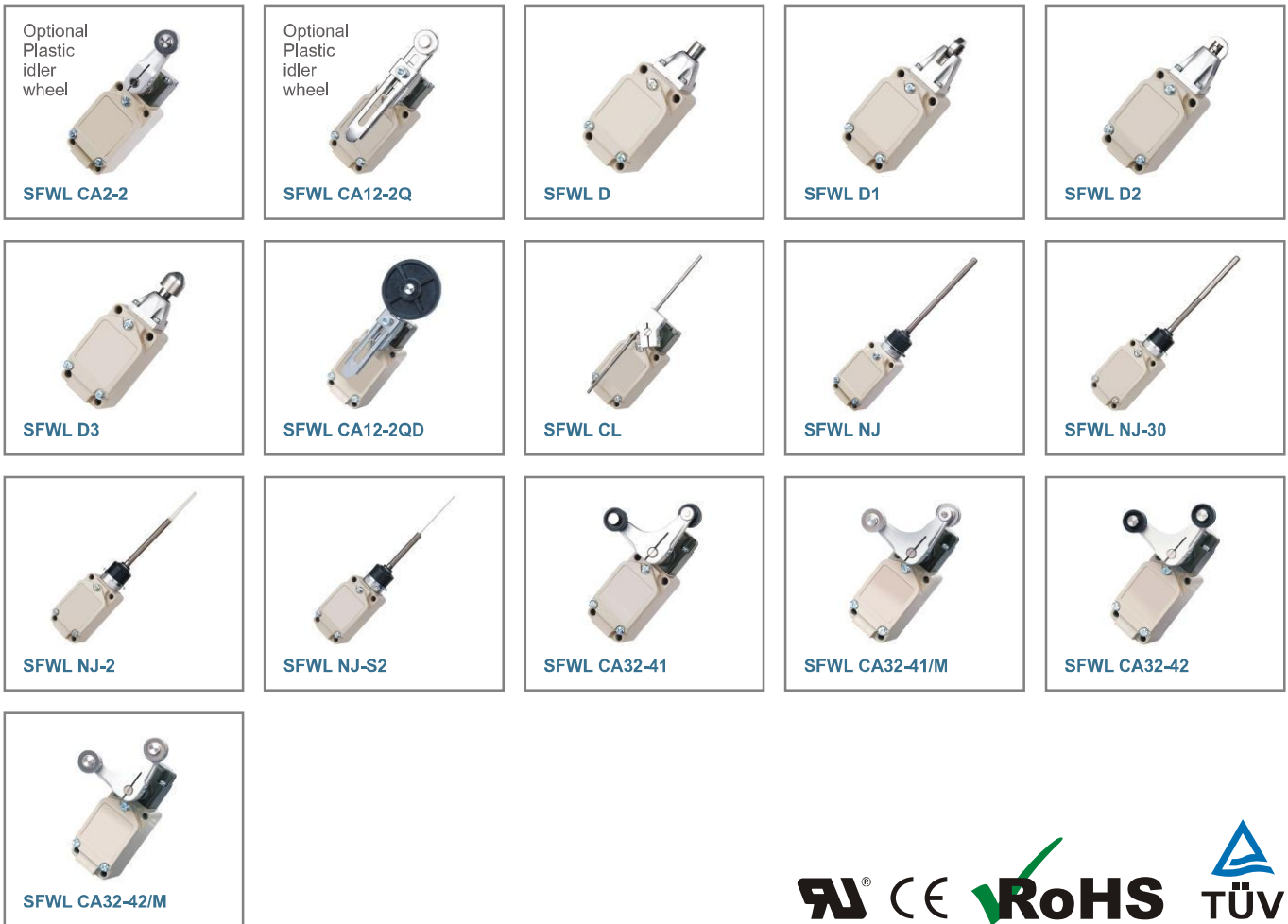
SFZ-8 N LIMIT SWITCH



SFSA LIMIT SWITCH



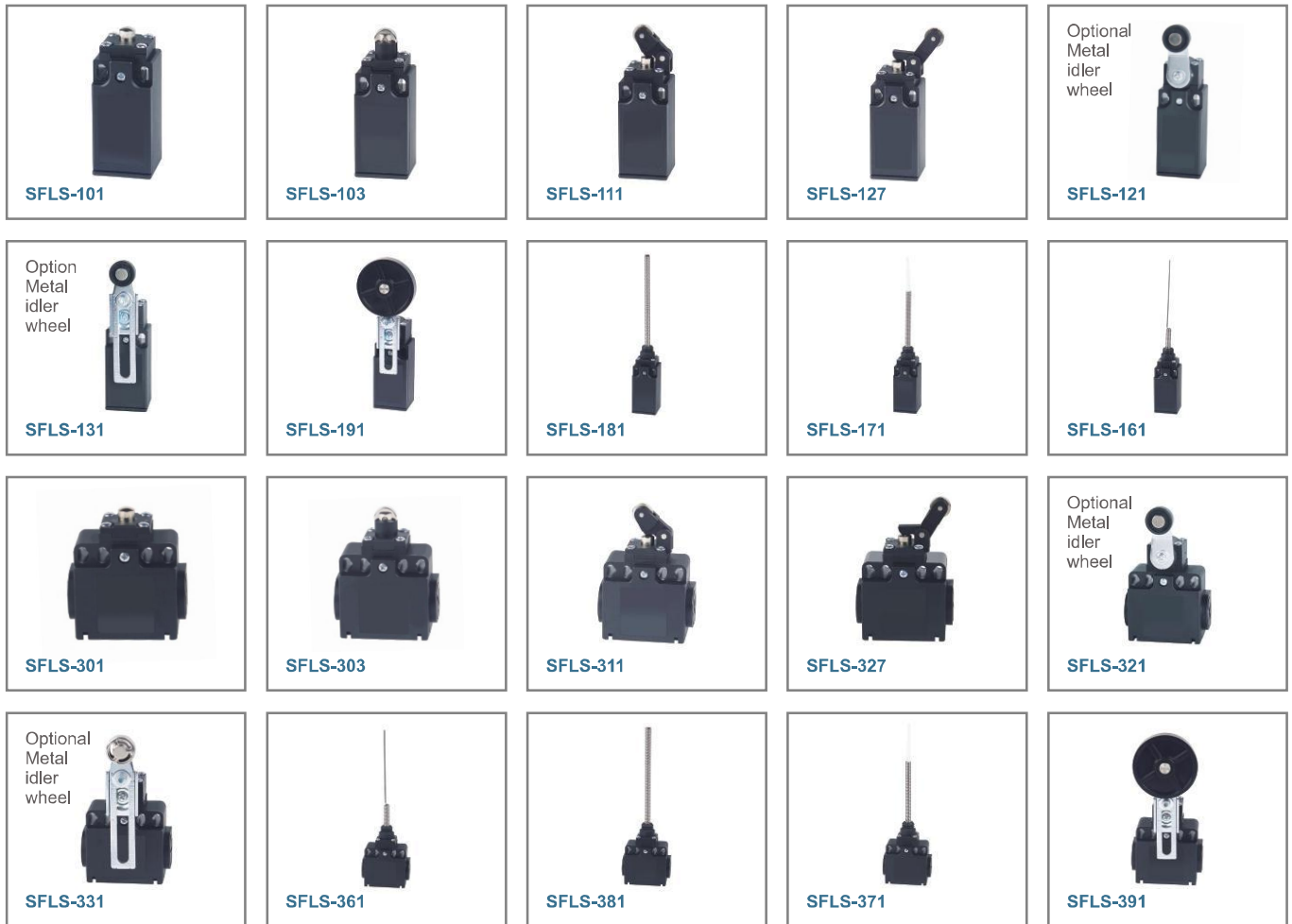
SFWL LIMIT SWITCH



SFHL LIMIT SWITCH



SFLS LIMIT SWITCH



SFZ-93 SAFETY KEY INTERLOCK SWITCH



DESIGNATION	SIGNAL	DESCRIPTION
Type	SFZ-93	Safety Switch
Type of Contact Block Fitted	B C	2B(2NC) 1A1B(NO-NC)
Conduit/Connector Size	PG PM	PG 13.5XP1.5 M20X1.5
Actuating Keys	None 01 02 03	None Horizontal Vertical Adjustable

Model Designations

SFZ-93	C	PM	01
1	2	3	4

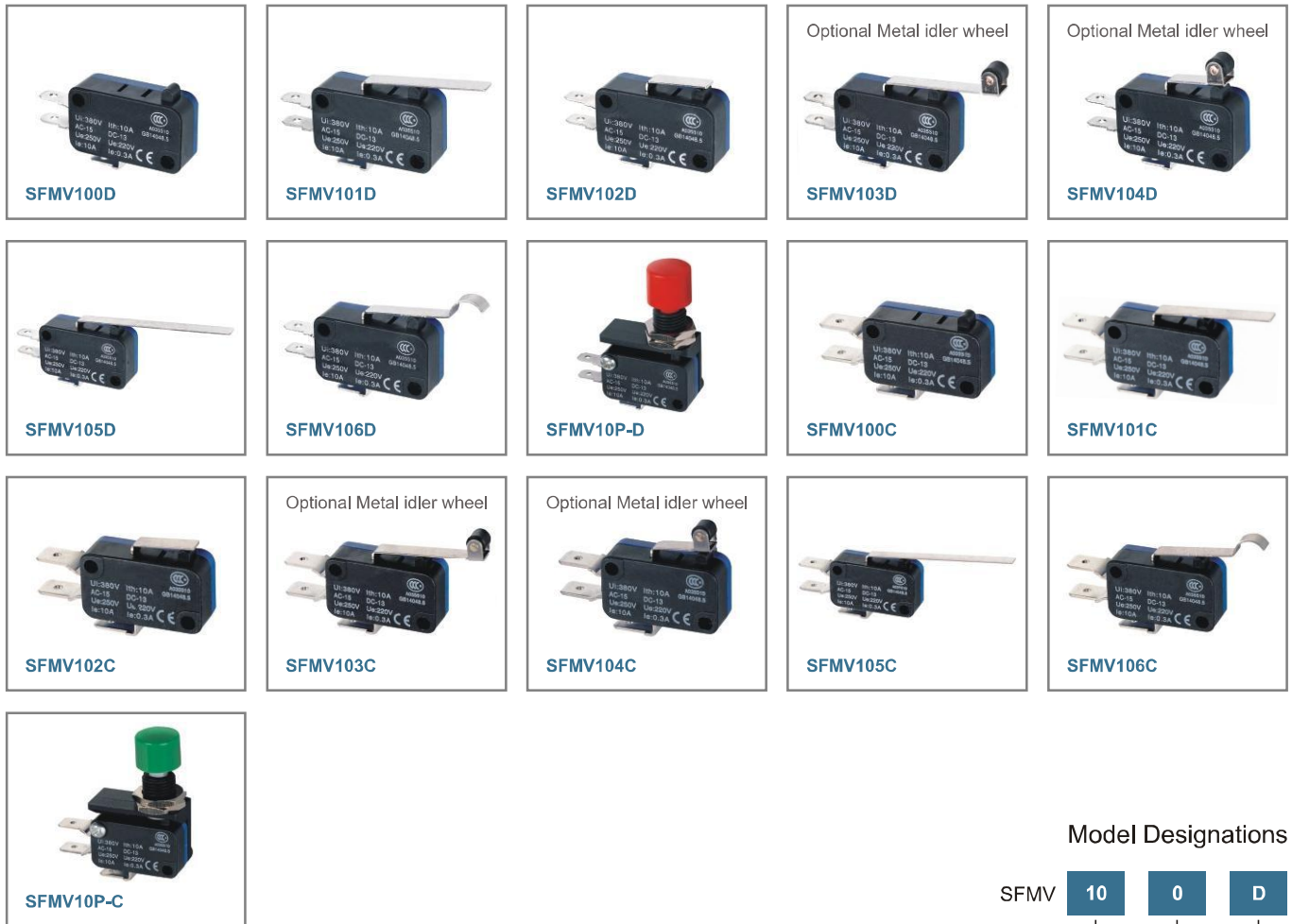
SFM MICRO SWITCH



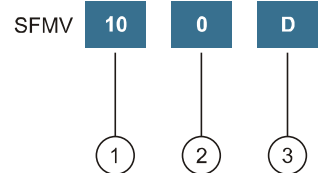
SFZ-7 MICRO SWITCH



SFMV10 MICRO SWITCH



Model Designations



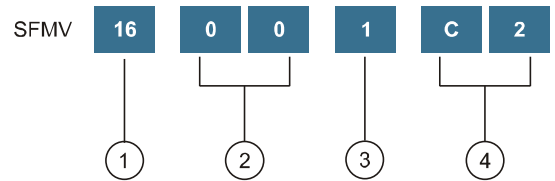
ITEM	CODE	DESCRIPTION
① Rated Current	10	10 A
② Head and Driving Rod	0	Button Type
	1	Long Handle Type
	2	Short Shank Type

ITEM	CODE	DESCRIPTION
② Head and Driving Rod	3	Long Pulley Type
	4	Short Pulley Type
	5	Longer Handle Type
	6	Crank Type
③ Terminal Specifications	C	#250 Terminal
	D	#187 Terminal

SFMV16 MICRO SWITCH



Model Designations



ITEM	CODE	DESCRIPTION
① Rated Current	16	16 A
② Head and Driving Rod	00 01 02 03 04 05 06	Button Type Long Handle Type Short Shank Type Long Pulley Type Short Pulley Type Longer Handle Type Crank Type

ITEM	CODE	DESCRIPTION
③ Contact Form	1 2 3	1NO/1NC 1NC 1NO
④ Terminal Specifications	C C2	#250 Terminal #187 Terminal

A trusted **BRAND** for industrial needs

Our Product Line

Flexible Conduits and Fittings
(Polyamide & Metallic)

Panel Fans
(Square & Round Shape)

Cable Glands
(Polyamide & Metallic)

Wiring Ducts
(Slotted & Un-slotted)

DIN Rails
(Perforated & Un-perforated)

Lugs
(Insulated & Non-insulated)

Drag Chains

Indicating Lights & Push Buttons
(Illuminated & Non-illuminated)

Switches & Heavy Duty Connectors

SUPAFLEX

www.supaflex.co.in

SUPA FLEX PVT. LTD.

Plot No. 8/33, III Floor, R.H.S. Complex, Industrial Area Kirti Nagar,
New Delhi 110015 INDIA

E-mail : sales@supaflex.co.in



Follow us on

