



Viento Series

COOL HOME

The Name That Keeps India Cool

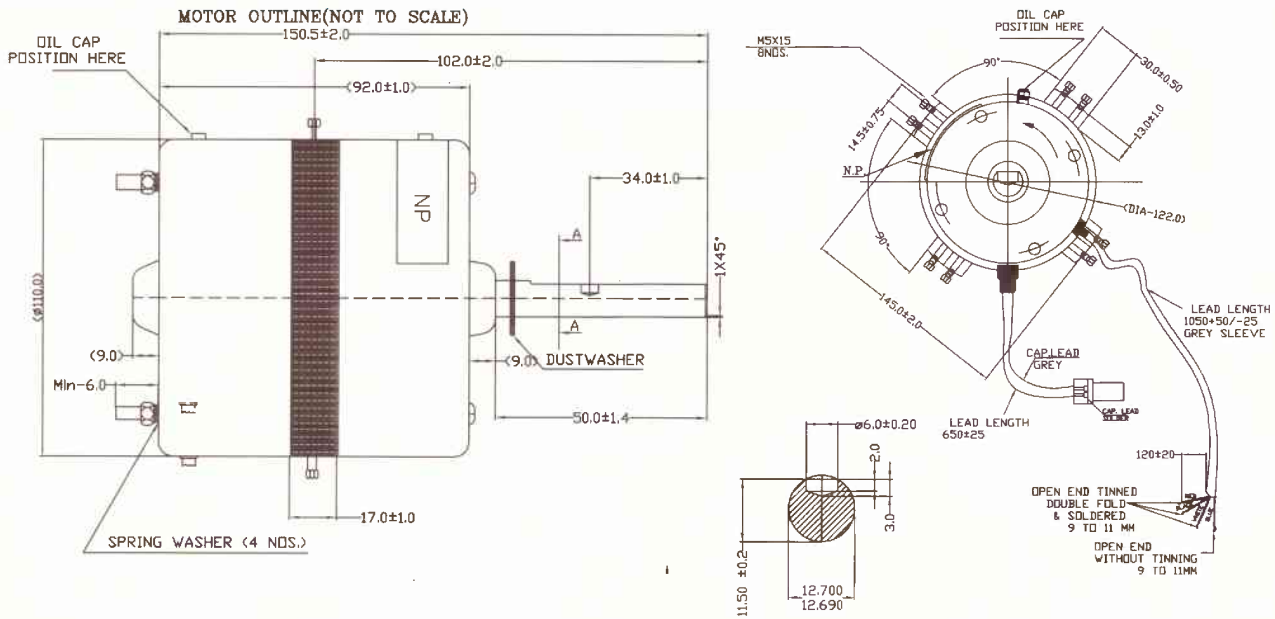
Marathon Electric in India is the largest manufacturer & exporter of motors. Its Cool Home range of products stand for enduring quality and durability. With a satisfied and devoted customer base of over 5 million, Cool Home motors are a trusted name across the nation.

COOLER MOTOR

- 110 dia efficient cooler motors.
- Optimized electrical design
- Precise rotor-stator slot combination, thus relaying high air flow, cool & quiet operation and lower input power.
- Built to withstand voltage fluctuation
- Pressure diecast balanced aluminium rotors
- Closed cases and water slinger to prevent water entry.

Model No	Application	HP	FLA	RPM	Speed	Mounting	Shaft Extension Length	Ring Type	Remarks
SD001	Desert cooler motor for 15" 5 leaf Aluminium blade	1/7	1	1350	Three	Ring Mount	31 mm	Non Standard	Without Cowl
SD002	Desert cooler motor for 15" 5 leaf Aluminium blade	1/7	1	1350	Three	Ring Mount	50 mm	Standard	Without Cowl
SD003	Desert cooler motor for 15" 5 leaf Aluminium blade	1/7	1	1350	Three	Ring Mount	50 mm	Standard	With Cowl
SD004	Desert cooler motor for 15" 5 leaf Aluminium blade	1/7	1	1350	Three	Ring Mount	50 mm	Non Standard	Without Cowl

EXTENSIVE RANGE OF COOLER MOTORS



- Performance subject to the tolerance as mentioned in IS: 2312-1967
- All products run on 180-250 V, 1-phase, 50 Hz AC supply
- Alterations in shaft length, shaft diameter, Voltage, frequency and speeds possible, Double shaft variable

Marathon Electric Motors products in this leaflet present only a part of our entire range. Due to continuous improvements in design, the specifications are subject to change without notice. Kindly inquire for customized motors.

Authorised Dealer/Distributor



COOL HOME

Marathon Electric India Pvt. Ltd., Regional Offices: **DELHI**: Flat No. 516-518, 5th Floor, Antriksh Bhawan, 22 K.G. Marg, New Delhi - 110001, Ph: 011-4350 9363, 011-4350 9364, Fax: 011-43509367. **AHMEDABAD**: 301, Sigma Legacy Complex, IIM Road, Nr. Panjra Pole Cross Road, Ahmedabad - 380015, Ph: 079-26301703, 079-26301702. **CHENNAI**: Flat no.7, First Floor, 9, Thiru.Vi.Ka. Road (Opp.Sathyam Theatre), Royapettah, Chennai - 600014, Ph: 044-43510152, 044-42136697, Fax: 044-43510153. **HYDERABAD**: 4th Floor, Block B & C (Partial) 8-2-120/113 & 8-2 120/113/1 to 5, Sanali Info Park, Road no. 2, Banjara Hills, Hyderabad - 500034 Ph: 040-40007403, Fax: 040-40007364. **KOLKATA**: 58, Taratala Road, Kolkata - 700024; Ph: 033-44030400, Fax: 033-24698530. **MUMBAI**: B-908/909, Sagar Tech Plaza, Andheri Kurla Road, Saki Naka, Andheri (East), Mumbai - 400072, Ph: 022-28523106, 28523898, Fax: 30401555. **PUNE**: B-112, 1st floor, Pride Silicon Plaza building 106 A, Senapati Bapat Road Pune - 411016, Ph: 020-41314966. **JAIPUR**: Flat No.507, Tower II, Royal Greens Apartment, Sirsi Road Jaipur, Ph: 9982655661.

India Toll free no. : **1800-313-7756**

marathon®



Marathon Electric India Pvt. Ltd.
Sec.-11 Model Town, Faridabad-121006
Tel: 0129-2286421/ 2265340
Fax: 0129-2284855, 2286423
E-mail: marathonFbd.sales@marathonelectric.com
Website: www.marathonelectric.in

