

SUPAFLEX

PRODUCT

CATALOG

www.supaflex.co.in



Industrial PRODUCTS LINE

| SPIRAL CONDUITS & FITTINGS | CABLE GLANDS & ACCESSORIES | PANEL FANS
| PVC WIRING DUCTS | DIN MOUNTING RAILS | CABLE TIES | LUGS | DRAG CHAIN
| HEAVY DUTY CONNECTORS | PILOT LIGHT & PUSH BUTTONS | INDUSTRIAL SWITCHES

A trusted **BRAND** for industrial needs

TÜV CE  **RoHS**


ORTAC PLASTIC CABLE GLANDS SERIES

TECHNICAL DETAILS
Material

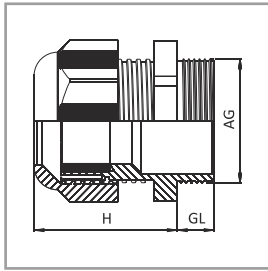
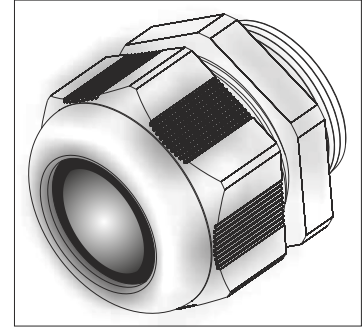
Cap nut	: Polyamide PA6 V2
Sealing ring	: TPV
Gland body	: Polyamide PA6 V2
Connection thread	: Metric (EN 60423)
Protection class	: IP68 - 5 bar
Temperature range	: -30 °C +80 °C +150 °C (short term)

Properties

Antivibration protection
 UV resistance
 Easy to assemble
 EN 50262 VDE approval (40030037)
 Halogen free

POLYAMIDE CABLE GLANDS

STANDARD TYPE METRIC




ETANJ RAKOR

Hammaddesi	: Polyamid PA6 V2
Renk	: RAL 7001 (Gri) RAL 7035 (Açık Gri) RAL 9005 (Siyah)
Bağlantı Dişi M	: EN 60423
Koruma sınıfı	: IP 68 5 bar
Sürekli ısıya direnci	: - 30 °C + 80 °C
Kısa süreli ısıya direnci	: +150 °C
Conta	: Termoplastik vulkanize TPV



* Red (RAL 3020) and White (RAL 9010) colours are available

METRIC THREAD CABLE GLANDS

AG Thread	Gray Code ■ RAL 7001	L. Gray Code ■ RAL 7035	Black Code ■ RAL 9005	H mm	GL mm	 mm	 mm
M 12 x 1,5	OMRG 01	OMRL 01	OMRB 01	24	8	15	3 - 6,5
M 16 x 1,5	OMRG 02	OMRL 02	OMRB 02	28	8	19	4 - 8
M 16 x 1,5	OMRG 03	OMRL 03	OMRB 03	29	10	22	5 - 10
M 20 x 1,5	OMRG 04RS	OMRL 04RS	OMRB 04RS	29	10	24	4 - 10
M 20 x 1,5	OMRG 04	OMRL 04	OMRB 04	29	10	24	6 - 12
M 20 x 1,5	OMRG 05	OMRL 05	OMRB 05	33	10	27	10 - 14
M 25 x 1,5	OMRG 06	OMRL 06	OMRB 06	38	10	33	13 - 18
M 32 x 1,5	OMRG 07	OMRL 07	OMRB 07	41	10	42	18 - 25
M 40 x 1,5	OMRG 08	OMRL 08	OMRB 08	51	10	53	22 - 32
M 50 x 1,5	OMRG 09	OMRL 09	OMRB 09	53	18	60	30 - 38
M 63 x 1,5	OMRG 10	OMRL 10	OMRB 10	55	18	70	34 - 44

LONG METRIC CABLE GLANDS

M 12 x 1,5	OMRG 01L	OMRL 01L	OMRB 01L	24	15	15	3 - 6,5
M 16 x 1,5	OMRG 11S	OMRL 11S	OMRB 11S	28	15	19	4 - 8
M 16 x 1,5	OMRG 11	OMRL 11	OMRB 11	29	15	22	5 - 10
M 20 x 1,5	OMRG 12RS	OMRL 12RS	OMRB 12RS	29	15	24	4 - 10
M 20 x 1,5	OMRG 12	OMRL 12	OMRB 12	29	15	24	6 - 12
M 20 x 1,5	OMRG 13	OMRL 13	OMRB 13	33	15	27	10 - 14
M 25 x 1,5	OMRG 14	OMRL 14	OMRB 14	38	15	33	13 - 18
M 32 x 1,5	OMRG 15	OMRL 15	OMRB 15	41	18	42	18 - 25
M 40 x 1,5	OMRG 16	OMRL 16	OMRB 16	51	18	53	22 - 32

PRODUCT RANGE OVERVIEW

IP 68

Halogen free

ORTAC PLASTIC CABLE GLANDS SERIES



TECHNICAL DETAILS

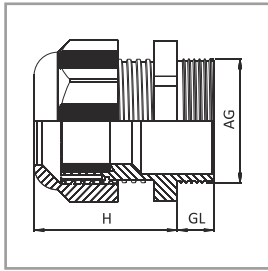
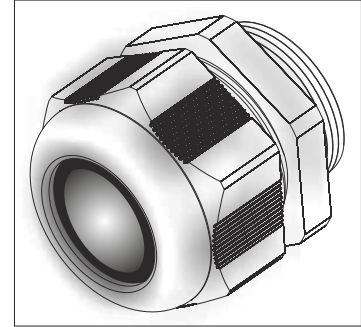
Material

Cap nut	: Polyamide PA6 V2
Sealing ring	: TPV
Gland body	: Polyamide PA6 V2
Connection thread	: PG (DIN 40430)
Protection class	: IP68 - 5 bar
Temperature range	: -30 °C +80 °C +150 °C (short term)

Properties

Antivibration protection
UV resistance
Easy to assemble
Halogen free

POLYAMIDE CABLE GLANDS STANDARD TYPE PG



ETANJ RAKOR

Hammaddesi	: Polyamid PA6 V2
Renk	: RAL 7001 (Gri) RAL 7035 (Açık Gri) RAL 9005 (Siyah)
Bağlantı Dişi PG	: DIN 40430
Koruma sınıfı	: IP 68 5 bar
Sürekli ısıya direnci	: -30 °C + 80 °C
Kısa süreli ısıya direnci	: +150 °C
Conta	: Termoplastik vulkanize TPV



■ RAL 7001 ■ RAL 7035 ■ RAL 9005

* Red (RAL 3020) and White (RAL 9010) colours are available

PG THREAD CABLE GLANDS

AG Thread	Gray Code ■ RAL 7001	L. Gray Code ■ RAL 7035	Black Code ■ RAL 9005	H mm	GL mm	mm	mm
PG 7	ORG 01	ORL 01	ORB 01	24	8	15	3 - 6,5
PG 9	ORG 02	ORL 02	ORB 02	28	8	19	4 - 8
PG 11	ORG 03	ORL 03	ORB 03	29	8	22	5 - 10
PG 13.5	ORG 04RS	ORL 04RS	ORB 04RS	29	9	24	4 - 10
PG 13.5	ORG 04	ORL 04	ORB 04	29	9	24	6 - 12
PG 16	ORG 05	ORL 05	ORB 05	33	9	27	10 - 14
PG 21	ORG 06	ORL 06	ORB 06	38	11	33	13 - 18
PG 29	ORG 07	ORL 07	ORB 07	41	11	42	18 - 25
PG 36	ORG 08	ORL 08	ORB 08	51	13	53	22 - 32
PG 42	ORG 09	ORL 09	ORB 09	53	13	60	30 - 38
PG 48	ORG 10	ORL 10	ORB 10	55	14	65	34 - 44

LONG PG CABLE GLANDS

PG 7	ORGL 01	ORLL 01	ORBL 01	24	15	15	3 - 6,5
PG 9	ORGL 02	ORLL 02	ORBL 02	28	15	19	4 - 8
PG 11	ORGL 03A	ORLL 03A	ORBL 03A	29	11	22	5 - 10
PG 11	ORGL 03	ORLL 03	ORBL 03	29	15	22	5 - 10
PG 13.5	ORGL 04RS	ORLL 04RS	ORBL 04RS	29	15	24	4 - 10
PG 13.5	ORGL 04	ORLL 04	ORBL 04	29	15	24	6 - 12
PG 16	ORGL 05	ORLL 05	ORBL 05	33	15	27	10 - 14
PG 21	ORGL 06	ORLL 06	ORBL 06	38	15	33	13 - 18

PRODUCT RANGE OVERVIEW

IP 68

Halogen free

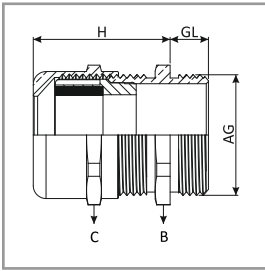

ORTAC METAL CABLE GLANDS SERIES
TECHNICAL DETAILS
Material

Cap nut	: Brass with nickel plated
Clamping insert	: Polyamide PA6 V2
Sealing ring	: TPV
Gland body	: Brass with nickel plated
O-ring	: NBR
Connection thread	: Metric (EN 60423)
Protection class	: IP68 - 5 bar
Temperature range	: -40 °C +100 °C

Properties

Easy to assemble
Long thread versions
Halogen free

METAL CABLE GLANDS STANDARD TYPE BRASS


ETANJ PİRİNÇ RAKOR

Hammaddesi	: Pirinç, nikel kaplı
Kablo tutucu	: Polyamid PA6 V2
Bağlantı dişi M	: EN 60423
Koruma sınıfı	: IP68 - 5 bar
Isıya direnci	: -40 °C + 100 °C
Conta	: Termoplastik vulkanize TPV
O-ring	: Nitril kauçuk


METRIC THREAD CABLE GLANDS

AG Thread	Code	H mm	GL mm	B mm	C mm	mm
M 12 x 1,5	OMBG 01	22	6	14	14	3 - 6,5
M 16 x 1,5	OMBG 02	23	7	18	17	4 - 8
M 20 x 1,5	OMBG 03RS	26,5	8	22	22	4 - 10
M 20 x 1,5	OMBG 03	26,5	8	22	22	6 - 12
M 25 x 1,5	OMBG 04	28	8	27	24	10 - 14
M 32 x 1,5	OMBG 05	31,5	9	34	30	13 - 18
M 40 x 1,5	OMBG 06	38	9	43	40	18 - 25
M 50 x 1,5	OMBG 07	43	9	55	50	22 - 32
M 63 x 1,5	OMBG 08	48	14	68	64	33 - 44

LONG METRIC CABLE GLANDS

M 12 x 1,5	OMBG 09	22	12	14	14	3 - 6,5
M 16 x 1,5	OMBG 10	23	12	18	17	4 - 8
M 20 x 1,5	OMBG 11RS	26,5	12	22	22	4 - 10
M 20 x 1,5	OMBG 11	26,5	12	22	22	6 - 12
M 25 x 1,5	OMBG 12	28	12	27	24	10 - 14
M 32 x 1,5	OMBG 13	31,5	14	34	30	13 - 18
M 40 x 1,5	OMBG 14	38	14	43	40	18 - 25
M 50 x 1,5	OMBG 15	43	14	55	50	22 - 32
M 63 x 1,5	OMBG 16	48	18	68	64	33 - 44

PRODUCT RANGE OVERVIEW

IP 68

Halogen free



www.supaflex.co.in

Industrial Product Line

Spiral Conduits and Fittings
(Polyamide & Metallic)

Cable Glands
(Polyamide & Metallic)

Wiring Ducts
(Slotted & Un-slotted)

Drag Chains

Industrial Switches
(Limit Switch & Micro Switch)

Heavy Duty Connectors

Panel Fans
(Square & Round Shape)

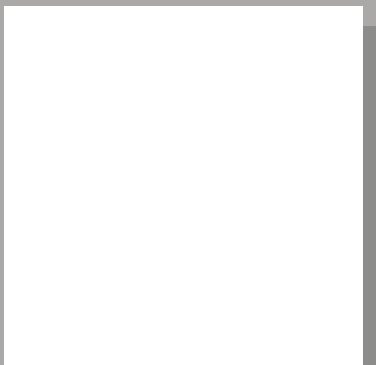
DIN Rails
(Perforated & Un-perforated)

Lugs
(Insulated & Non-insulated)

Cable Ties

Industrial Push Buttons & Control Boxes
(Illuminated & Non-illuminated)

Download Catalog Here



Follow us on



Contact Us

SUPA FLEX PVT. LTD.

Address

Plot No. 8/33, III Floor, R.H.S. Complex,
Industrial Area Kirti Nagar, New Delhi 110015 INDIA

Telephone

+91-11-68888708

Mobile

+91-95999992308 | +91-9599992306-10

E-mail

sales@supaflex.co.in | sales1@supaflex.co.in