



marathon™



Smoke Spill Motor

A Regal Brand

REGAL

www.regalbeloit.com

Marathon Electric presents SMOKE SPILL range of three phase squirrel cage induction motors with best in class quality to ensure reliability at service point. Smoke Spill motors are designed to withstand required operation at elevated temperature. The design of this range of product is based on excellence in advanced technology linked with the company producing electric motors for more than 100 years. Stringent quality control, procedures are adopted at every step of manufacturing to ensure each motor meets requisite quality standard leading to customer satisfaction.

Range

Frame Size : SZ80 –SZ280M
(for higher frame sizes, refer to works)

kW : 0.37 –93 (in 4Pole)

Duty : Continuously rated at 50°C temperature and normal supply condition before emergency.

Class of Insulation : H

Supply Voltage and Frequency

Voltage : 200 – 690 V ± 10%

Frequency : 50/60 Hz ± 5%

Standard motors are wound for 3 phase, 415 V, 50 Hz supply condition

Type of Cooling : IC418 (Air-over motor)
Motor cooling IC 410/411 as per requirement

Mounting : IMB3 / IMB5 or any other type as per requirement.

Typical features : Operation at 250°C for 2 hrs/300°C for 2 hrs

Specification : BS EN:12101-3

Construction – Terminal Box at sider or on Top

Performance – IE1/IE2 compatible with VFD Dual Speed option available

Class	Temperature °C	Minimum Functioning Period (minutes)
F200	200	120
F300	300	60

Application :

Public Building / Car Parking / Sites with smoke control system. In an unlikely event of fire, fans fitted with these motors reduce the heat loading on the building and keep access / escape routes smoke – free.



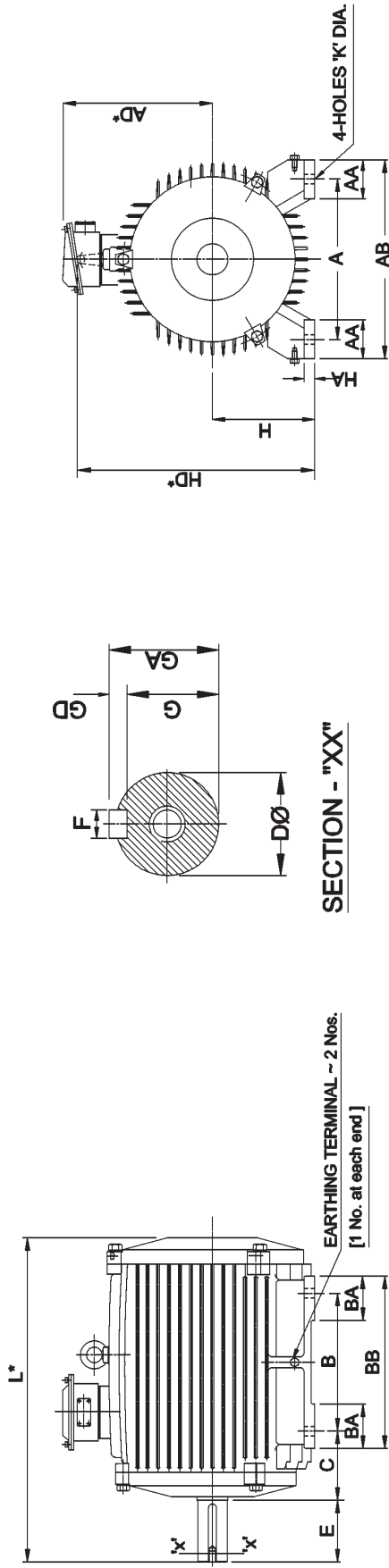
Electrical Datasheet IE1

TYPE	Output 50Hz kW	Output 60Hz kW	Frame Size	Speed 50Hz rpm	Speed 60Hz rpm	Rated current 50Hz			60Hz 460V A	Power Factor cosφ	Class	Efficiency		50% Load %	Rated torque Nm	Starting current	Ratio Starting torque	B/down torque	Weight kg
						380V A	400V A	415V A				"100% Load %	"75% Load %						
3000/3600 rpm, 2-Pole, 50/60 Hz, IP55, Insulation F/B																			
SZ80	0.75	0.86	SZ80	2750	3300	1.8	1.7	1.7	1.7	0.86	IE1	72.1	71.5	70	2.6	5.0	2.1	2.4	18
SZ80	1.1	1.21	SZ80	2750	3300	2.5	2.4	2.3	2.2	0.9	IE1	75	74	72	3.8	5.5	2.2	2.5	23
SZ90S	1.5	1.73	SZ90S	2850	3420	3.5	3.3	3.2	3.3	0.85	IE1	72.3	71.7	70.7	5.0	6.0	2.0	2.50	25
SZ90L	2.2	2.53	SZ90L	2830	3396	4.9	4.6	4.5	4.6	0.86	IE1	79.7	79.6	75.5	7.4	6.0	2.10	2.60	36
SZ100L	3.0	3.45	SZ100L	2830	3396	6.4	6.0	5.8	6.0	0.88	IE1	81.5	79.6	75.6	10.1	6.0	2.00	2.60	42
SZ100L	3.7	4.26	SZ100L	2850	3420	7.7	7.3	7.1	7.3	0.88	IE1	82.7	79.7	75.7	12.4	6.0	2.00	2.60	42
SZ112M	4.0	4.60	SZ112M	2850	3420	8.3	7.9	7.6	7.9	0.88	IE1	83.1	80.0	76.0	13.4	6.0	2.20	2.60	44
SZ132S	5.5	6.33	SZ132S	2850	3420	11.5	10.9	10.5	10.9	0.86	IE1	84.7	80.5	77.5	18.4	6.0	2.10	2.60	64
SZ132S	7.5	8.63	SZ132S	2850	3420	15.6	14.8	14.3	14.8	0.85	IE1	86.0	82.5	79.5	25.1	6.0	2.30	2.80	69
SZ160M	11	12.65	SZ160M	2900	3480	21.9	20.8	20.1	20.8	0.87	IE1	87.6	86.6	84.6	36.2	6.0	1.90	2.70	128
SZ160M	15	17.25	SZ160M	2880	3456	29.5	28.1	27.0	28.1	0.87	IE1	88.7	87.7	85.7	49.7	6.0	1.90	2.70	136
SZ160L	18.5	21.28	SZ160L	2920	3504	36.2	34.4	33.1	34.4	0.87	IE1	89.3	88.3	86.3	60.4	6.0	2.00	2.70	165
SZ180M	22	25.30	SZ180M	2930	3516	42.3	40.1	38.7	40.1	0.88	IE1	89.9	88.9	86.9	71.6	6.0	1.80	2.70	172
SZ200L	30	34.50	SZ200L	2940	3528	57.8	54.9	52.9	54.9	0.87	IE1	90.7	89.7	87.7	97.3	6.0	1.80	2.70	277
SZ200L	37	42.55	SZ200L	2950	3540	70.9	67.3	64.9	67.3	0.87	IE1	91.2	89.7	86.2	119.6	6.0	1.80	2.70	320
SZ225M	45	51.75	SZ225M	2955	3546	84.7	80.5	77.6	80.5	0.88	IE1	91.7	90.7	87.7	145.2	6.0	1.80	2.70	379
SZ250M	55	63.25	SZ250M	2955	3546	102.5	97.4	93.9	97.4	0.885	IE1	92.1	91.1	88.1	177.5	6.0	1.80	2.70	439
SZ280S	75	86.25	SZ280S	2960	3552	138.9	132.0	127.2	132.0	0.885	IE1	92.7	91.7	89.7	241.6	6.0	1.80	2.70	724
SZ280M	90	103.50	SZ280M	2965	3558	166.1	157.8	152.1	157.8	0.885	IE1	93.0	92.0	89.0	289.4	6.0	1.80	2.70	754
1500/1750rpm, 4-pole, 50/60Hz, IP55, Insulation F/B																			
SZ80	0.75	0.86	SZ80	1400	1680	2.1	2.0	2.0	2.0	0.74	IE1	72.1	69.0	65.0	5.1	5.0	2.2	2.5	16.4
SZ90S	1.1	1.27	SZ90S	1410	1692	2.9	2.7	2.6	2.7	0.78	IE1	75.0	68.8	65.8	7.4	5.0	2.0	2.5	22
SZ90L	1.5	1.73	SZ90L	1410	1692	3.7	3.6	3.4	3.6	0.79	IE1	77.2	70.7	67.7	10.1	5.5	2.1	2.5	25
SZ100L	2.2	2.53	SZ100L	1430	1716	5.1	4.9	4.7	4.9	0.82	IE1	79.7	74.7	71.7	14.7	6.0	1.9	2.5	34
SZ100L	3.0	3.45	SZ100L	1430	1716	6.8	6.5	6.2	6.5	0.82	IE1	81.5	79.7	76.0	20.0	6.0	2.0	2.5	42
SZ112M	3.7	4.26	SZ112M	1430	1716	8.3	7.9	7.6	7.9	0.82	IE1	82.7	79.7	76.0	24.7	6.0	2.1	2.6	42
SZ112M	4.0	4.60	SZ112M	1430	1716	8.9	8.5	8.2	8.5	0.82	IE1	83.1	79.9	76.0	26.7	6.0	2.1	2.6	44
SZ132S	5.5	6.33	SZ132S	1440	1728	11.9	11.3	10.9	11.3	0.83	IE1	84.7	79.9	76.9	36.4	6.0	2.2	2.7	64
SZ132M	7.5	8.63	SZ132M	1440	1728	16.0	15.2	14.6	15.2	0.83	IE1	86.0	83.0	81.0	49.7	6.0	2.0	2.7	71
SZ160M	11	12.65	SZ160M	1450	1740	22.2	21.1	20.3	21.1	0.86	IE1	87.6	87.6	86.6	72.3	6.0	2.2	2.7	126
SZ160L	15	17.25	SZ160L	1455	1746	29.9	28.4	27.4	28.4	0.86	IE1	88.7	88.7	87.2	98.3	6.0	2.2	2.7	136
SZ180M	18.5	21.28	SZ180M	1460	1752	37.0	35.2	33.9	35.2	0.85	IE1	89.3	88.8	87.8	120.8	6.0	2.2	2.7	166
SZ180L	22	25.30	SZ180L	1460	1752	42.7	40.6	39.1	40.6	0.87	IE1	89.9	88.4	87.4	143.7	6.0	2.2	2.7	174
SZ200L	30	34.50	SZ200L	1470	1764	58.4	55.5	53.5	55.5	0.86	IE1	90.7	89.2	87.2	194.6	6.0	2.3	2.7	277
SZ225S	37	42.55	SZ225S	1470	1764	71.7	68.1	65.6	68.1	0.86	IE1	91.2	90.7	88.7	240.0	6.0	2.3	2.7	315
SZ225M	45	51.75	SZ225M	1475	1770	85.7	81.4	78.5	81.4	0.87	IE1	91.7	91.0	89.5	290.9	6.0	2.3	2.7	385
SZ250M	55	63.25	SZ250M	1470	1764	105.5	100.2	96.6	100.2	0.86	IE1	92.1	91.4	89.6	356.8	6.0	2.4	2.7	450
SZ280S	75	86.25	SZ280S	1480	1776	141.3	134.2	129.4	134.2	0.87	IE1	92.7	91.9	90.1	483.2	6.0	2.2	2.7	710
SZ280M	90	103.50	SZ280M	1480	1776	169.0	160.6	154.8	160.6	0.87	IE1	93.0	92.4	90.1	579.9	6.0	2.2	2.7	758
1000/1200rpm, 6-pole, 50/60Hz, IP55, Insulation F/B																			
SZ80	0.55	0.63	SZ80	905	1086	1.9	1.8	1.7	1.8	0.66	IE1	67.0	62.0	59.0	5.8	4.5	1.8	2.3	18
SZ90S	0.75	0.86	SZ90S	910	1092	2.2	2.1	2.0	2.1	0.75	IE1	70.0	68.0	65.0	7.9	5.00	1.70	2.20	23
SZ90L	1.1	1.27	SZ90L	910	1092	3.4	3.2	3.1	3.2	0.68	IE1	72.9	71.4	68.9	11.5	5.00	1.90	2.30	25
SZ100L	1.5	1.73	SZ100L	920	1104	3.8	3.6	3.5	3.6	0.79	IE1	75.2	73.2	72.2	15.5	5.00	1.80	2.30	37
SZ112M	2.2	2.53	SZ112M	925	1110	5.4	5.1	4.9	5.1	0.8	IE1	77.7	77.7	75.7	22.7	5.50	1.80	2.30	42
SZ132S	3.0	3.45	SZ132S	950	1140	7.4	7.1	6.8	7.1	0.77	IE1	79.7	76.4	74.4	30.1	6.00	1.90	2.50	68
SZ132S	3.7	4.26	SZ132S	950	1140	9.0	8.6	8.3	8.6	0.77	IE1	80.9	76.4	74.4	37.1	6.00	1.90	2.50	68
SZ132M	4.0	4.60	SZ132M	950	1140	9.7	9.2	8.9	9.2	0.77	IE1	81.4	77.0	75.0	40.1	6.00	2.00	2.60	73
SZ132M	5.5	6.33	SZ132M	950	1140	13.1	12.4	12.0	12.4	0.77	IE1	83.1	82.1	79.1	55.2	6.00	2.00	2.60	73
SZ160M	7.5	8.63	SZ160M	960	1152	16.8	16.0	15.4	16.0	0.8	IE1	84.7	83.7	80.7	74.5	5.50	2.15	2.50	135
SZ160L	11	12.65	SZ160L	960	1152	21.5	20.3	22.4	23.3	0.79	IE1	86.4	84.9	84.9	109.3	6.00	2.10	2.50	140
SZ180L	15	17.25	SZ180L	965	1158	31.3	29.7	28.7	29.7	0.83	IE1	87.7	86.7	83.7	148.2	6.00	2.00	2.50	208
SZ200L	18.5	21.28	SZ200L	975	1170	39.2	37.2	35.9	37.2	0.81	IE1	88.6	87.6	85.1	180.9	6.00	2.00	2.50	277
SZ200L	22	25.30	SZ200L	975	1170	45.7	43.4	41.8	43.4	0.82	IE1	89.2	88.2	85.2	215.2	6.00	2.00	2.50	290
SZ225M	30	34.50	SZ225M	980	1176	60.9	57.8	55.7	57.8	0.83	IE1	90.2	89.7	87.2	291.9	6.00	2.30	2.50	377
SZ250M	37	42.55	SZ250M	980	1176	74.6	70.9	68.3	70.9	0.83	IE1	90.8	89.8	87.3	360.0	6.00	2.40	2.50	437
SZ280S	45	51.75	SZ280S	980	1176	90.1	85.6	82.5	85.6	0.83	IE1	91.4	90.9	87.4	437.9	6.00	2.20	2.50	716
SE280M	55	63.25	SE280M	980	1176	109.6	104.1	100.3	104.1	0.83	IE1	91.9	91.4	86.9	535.2	6.00	2.20	2.50	728

Electrical Datasheet IE2

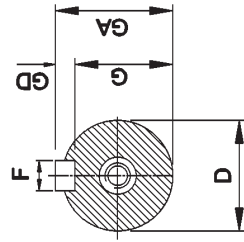
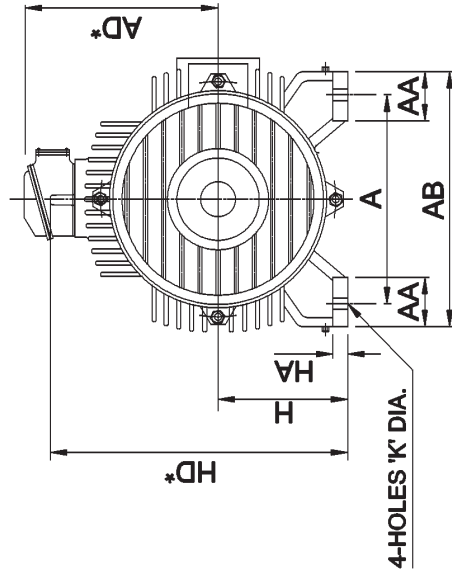
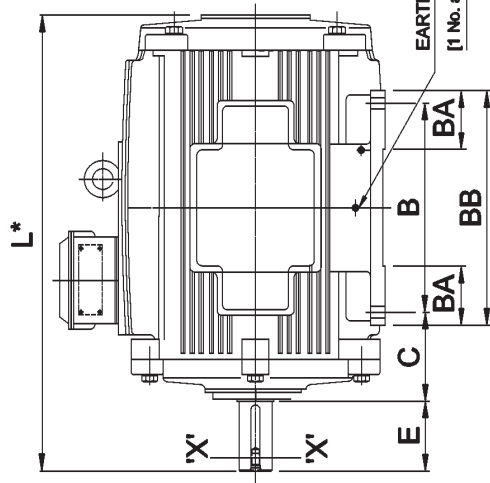
TYPE	Output 50Hz kW	Output 60Hz kW	Frame Size	Speed 50Hz rpm	Speed 60Hz rpm	Rated current 50Hz			60Hz			Power Factor cosφ	Class	Efficiency			Rated torque Nm	Starting current	Ratio Starting torque	B/down torque	Weight kg
						380V A	400V A	415V A	460V A	η100% Load %	η75% Load %			50% Load %							
3000/3600 rpm, 2-Pole, 50/60 Hz, IP55, Insulation F/B																					
SEZ90S	1.5	1.70	SEZ90S	2860	3432	3.3	3.1	3.0	3.1	3.1	0.85	IE2	81.3	80.8	78.8	5.0	6.5	3.00	3.70	36	
SEZ90L	2.2	2.50	SEZ90L	2860	3432	4.6	4.4	4.2	4.3	4.3	0.87	IE2	83.2	83.2	82.5	7.3	7.0	3.20	3.80	41	
SEZ100L	3.0	3.4	SEZ100L	2870	3444	6.1	5.8	5.5	5.7	5.7	0.89	IE2	84.6	84.6	83.0	10.0	7.0	2.30	2.80	50	
SEZ100L	3.7	4.30	SEZ100L	2870	3444	7.2	6.9	6.6	6.9	6.9	0.91	IE2	85.5	85.5	83.5	12.3	7.0	2.30	3.00	50	
SEZ112M	4.0	4.6	SEZ112M	2870	3444	7.8	7.4	7.1	7.3	7.3	0.91	IE2	85.8	85.8	84.0	13.3	7.0	2.00	2.50	54	
SEZ132S	5.5	6.30	SEZ132S	2880	3456	10.7	10.1	9.8	10.1	10.1	0.9	IE2	87.0	86.0	81.0	18.2	6.0	2.20	2.80	69	
SEZ132S	7.5	8.60	SEZ132S	2910	3492	14.4	13.7	13.2	13.6	13.6	0.91	IE2	88.1	88.1	87.0	24.6	7.0	2.60	3.50	77	
SEZ160M	9.3	10.70	SEZ160M	2920	3504	17.4	16.6	16.0	16.6	16.6	0.91	IE2	89.0	88.5	86.0	30.4	6.5	2.20	3.20	165	
SEZ160M	11	12.60	SEZ160M	2910	3492	20.5	19.5	18.8	19.4	19.4	0.91	IE2	89.4	88.9	86.0	36.0	6.0	2.10	2.80	165	
SEZ160L	15	17.30	SEZ160M	2930	3516	28.0	26.6	25.7	26.7	26.7	0.9	IE2	90.3	90.0	87.0	48.8	6.0	1.80	2.70	170	
SEZ160L	18.5	21.30	SEZ160L	2930	3516	34.0	32.3	31.1	32.3	32.3	0.91	IE2	90.9	90.9	89.0	60.2	6.0	1.70	2.60	170	
SEZ180M	22	25.30	SEZ180M	2960	3552	41.6	39.5	38.1	39.5	39.5	0.88	IE2	91.3	90.5	88.0	70.9	6.5	2.20	2.80	236	
SEZ200L	30	34.00	SEZ200L	2965	3558	54.4	51.7	49.9	51.0	51.0	0.91	IE2	92.0	91.5	89.0	96.5	6.5	2.00	2.70	340	
SEZ200L	37	42.50	SEZ200L	2965	3558	67.5	64.2	61.8	64.1	64.1	0.9	IE2	92.5	91.8	89.0	119.0	6.5	1.65	2.75	340	
SEZ225M	45	52.00	SEZ225M	2955	3546	81.8	77.7	74.9	78.1	78.1	0.9	IE2	92.9	92.5	91.0	145.2	6.0	1.60	2.70	465	
SEZ250M	55	63.00	SEZ250M	2960	3552	100.7	95.7	92.2	95.3	95.3	0.89	IE2	93.2	93.0	91.5	177.2	7.0	1.80	2.80	515	
SEZ280S	75	86.00	SEZ280S	2970	3564	136.5	129.7	125.0	129.3	129.3	0.89	IE2	93.8	93.2	91.2	240.8	6.5	1.75	2.80	900	
SEZ280M	90	103.00	SEZ280M	2970	3564	161.5	153.4	147.8	152.7	152.7	0.9	IE2	94.1	93.5	92.0	289.0	6.5	1.60	2.80	940	
1500/1750 rpm, 4-Pole, 50/60 Hz, IP55, Insulation F/B																					
SEZ90S	1.1	1.20	SEZ90S	1420	1704	2.6	2.5	2.4	2.4	2.4	0.78	IE2	81.4	80.0	75.0	7.4	6.0	2.2	2.8	25	
SEZ90L	1.5	1.70	SEZ90L	1430	1716	3.5	3.4	3.2	3.3	3.3	0.78	IE2	82.8	82.8	80.0	10.0	6.0	2.4	3.0	26	
SEZ100L	2.2	2.50	SEZ100L	1430	1716	4.7	4.5	4.3	4.4	4.4	0.84	IE2	84.3	84.3	82.0	14.7	7.0	2.7	3.6	40	
SEZ100L	3.0	3.40	SEZ100L	1430	1716	6.3	6.0	5.7	5.9	5.9	0.85	IE2	85.5	85.5	83.0	20.0	7.0	2.0	3.0	44	
SEZ112M	3.7	4.30	SEZ112M	1440	1728	7.7	7.3	7.0	7.4	7.4	0.85	IE2	86.3	86.3	83.0	24.5	7.0	2.0	3.0	56	
SEZ112M	4.0	4.60	SEZ112M	1440	1728	8.3	7.8	7.6	7.8	7.8	0.85	IE2	86.6	86.6	83.0	26.5	7.0	2.0	2.8	58	
SEZ132S	5.5	6.30	SEZ132S	1450	1740	11.2	10.6	10.3	10.6	10.6	0.86	IE2	87.7	86.0	84.0	36.2	6.0	2.2	2.7	71	
SEZ132M	7.5	8.60	SEZ132M	1450	1740	14.9	14.2	13.7	14.2	14.2	0.86	IE2	88.7	88.0	85.0	49.3	6.0	2.2	2.7	96	
SEZ160M	9.3	10.70	SEZ160M	1465	1758	18.5	17.5	16.9	17.5	17.5	0.86	IE2	89.0	89.0	88.0	60.5	6.0	2.2	2.7	136	
SEZ160M	11	12.60	SEZ160M	1455	1746	21.6	20.6	19.8	20.5	20.5	0.86	IE2	89.8	89.8	86.5	72.1	6.0	2.0	2.7	136	
SEZ160L	15	17.30	SEZ160L	1460	1752	30.3	28.8	27.8	28.9	28.9	0.83	IE2	90.6	90.6	90.0	98.0	6.0	1.8	2.7	165	
SEZ180M	18.5	21.30	SEZ180M	1463	1756	35.0	33.3	32.1	33.3	33.3	0.88	IE2	91.2	91.2	90.5	120.6	6.0	2.2	2.7	176	
SEZ180L	22	25.30	SEZ180L	1468	1762	41.5	39.4	38.0	39.4	39.4	0.88	IE2	91.6	91.6	90.6	142.9	6.0	2.0	2.7	236	
SEZ200L	30	34.00	SEZ200L	1474	1769	56.1	53.3	51.4	52.5	52.5	0.88	IE2	92.3	92.3	91.0	194.1	6.0	2.0	2.7	365	
SEZ225S	37	42.50	SEZ225S	1475	1770	68.9	65.5	63.1	65.4	65.4	0.88	IE2	92.7	92.7	92.0	239.2	6.0	2.0	2.7	385	
SEZ225M	45	52.00	SEZ225M	1475	1770	84.4	80.2	77.3	80.6	80.6	0.87	IE2	93.1	93.1	91.5	290.9	6.0	2.0	2.7	415	
SEZ50M	55	63.00	SEZ50M	1480	1776	103.9	98.7	95.2	98.3	98.3	0.86	IE2	93.5	93.2	92.0	354.4	6.0	2.2	2.7	515	
SEZ280S	75	86.00	SEZ280S	1485	1782	141.0	133.9	129.1	133.5	133.5	0.86	IE2	94.0	94.0	92.5	481.6	6.5	2.2	2.7	720	
SEZ280M	90	103.00	SEZ280M	1485	1782	166.9	158.5	152.8	157.7	157.7	0.87	IE2	94.2	94.2	92.7	577.9	6.5	2.2	2.7	740	
1000/1200 rpm, 6-Pole, 50/60 Hz, IP55, Insulation F/B																					
SEZ90S	0.75	0.86	SEZ90S	915	1098	1.9	1.9	1.8	1.9	1.9	0.77	IE2	75.9	75.8	70.0	7.8	5.00	1.70	2.30	25	
SEZ90L	1.1	1.20	SEZ90L	915	1098	2.9	2.7	2.6	2.6	2.6	0.74	IE2	78.1	78.0	73.0	11.5	5.00	1.80	2.30	28	
SEZ100L	1.5	1.70	SEZ100L	925	1110	3.5	3.3	3.2	3.3	3.3	0.82	IE2	79.8	79.7	73.9	15.5	5.50	2.00	2.50	42	
SEZ112M	2.2	2.50	SEZ112M	925	1110	5.0	4.7	4.6	4.7	4.7	0.82	IE2	81.8	81.5	74.0	22.7	6.50	1.90	2.50	45	
SEZ132S	3.0	3.40	SEZ132S	955	1146	6.8	6.5	6.3	6.4	6.4	0.83	IE2	83.3	83.0	75.0	30.0	6.00	1.80	2.50	73	
SEZ132S	3.7	4.30	SEZ132S	955	1146	8.3	7.9	7.6	8.0	8.0	0.8	IE2	84.3	83.3	76.0	36.9	6.00	1.80	2.80	73	
SEZ132M	4.0	4.60	SEZ132M	955	1146	9.0	8.5	8.2	8.5	8.5	0.8	IE2	84.8	84.0	76.0	39.9	6.00	1.80	2.80	77	
SEZ132M	5.5	6.30	SEZ132M	955	1146	12.1	11.5	11.1	11.5	11.5	0.8	IE2	86.0	85.0	79.0	54.9	6.00	1.80	2.80	77	
SEZ160M	7.5	8.60	SEZ160M	965	1158	16.1	15.3	14.8	15.3	15.3	0.81	IE2	87.2	86.8	81.9	74.1	6.00	2.20	2.70	140	
SEZ160L	11	12.60	SEZ160L	965	1158	23.0	21.8	21.0	21.7	21.7	0.82	IE2	88.7	87.5	83.0	108.7	6.00	2.40	2.80	149	
SEZ180L	15	17.30	SEZ180L	970	1164	30.6	29.2	28.0	29.2	29.2	0.83	IE2	89.7	89.7	87.0	147.5	6.00	2.00	2.70	235	
SEZ200L	18.5	21.30	SEZ200L	975	1170	37.5	35.6	34.3	35.6	35.6	0.83	IE2	90.4	90.4	88.0	180.9	6.00	2.10	2.60	300	
SEZ225M	22	25.30	SEZ225M	980	1176	44.3	42.1	40.6	42.1	42.1	0.83	IE2	90.9	90.9	89.6	215.2	6.00	1.90	2.45	300	
SEZ250M	30	34.00	SEZ250M	980	1176	59.9	56.9	54.8	56.1	56.1	0.83	IE2	91.7	91.7	90.7	291.9	6.00	2.10	2.60	385	
SEZ250M	37	42.50	SEZ250M	985	1182	71.7	68.1	65.7	68.1	68.1	0.85	IE2	92.2	92.2	90.7	358.2	6.00	2.40	3.00	515	
SEZ80S	45	52.00	SEZ80S	990	1188	87.8	83.4	80.4	83.8	80.4	0.84	IE2	92.7	92.7	90.7	433.4	6.00	1.80	2.70	830	
SEZ80M	55	63.00	SEZ80M	990	1188	105.6	100.3	96.7	99.9	99.9	0.85	IE2	93.1	92.8	91.3	529.7	6.00	1.80	2.70	855	

GA Drawing Smoke Spill Motors



FRAME SIZE	H CENTRE HEIGHT		D SHAFT DIA		E SHAFT EXTN.	GA	F		GD		G		FIXING DIMENSIONS				TAPPED CENTER HOLE AT SHAFT END (AS PER IS: 2540)								
	NOM	TOL	NOM	TOL			NOM	TOL	NOM	TOL	A	B	C	K	AA	BB		BA	HA	HD*	AD*	L*			
SZ132M	132	+0 -0.5	38	+0.018 +0.002	80	41	10	+0 -0.036	8	+0 -0.090	33	+0 -0.2	216	178	89	12	256	50	222	76	14	320	205	440	T12
SZ132S	132	+0 -0.5	38	+0.018 +0.002	80	41	10	+0 -0.036	8	+0 -0.090	33	+0 -0.2	216	140	89	12	256	50	222	76	14	320	205	440	T12
SZ112M	112	+0 -0.5	28	+0.009 -0.004	60	31	8	+0 -0.036	7	+0 -0.090	24	+0 -0.2	190	140	70	12	222	45	170	50	14	285	185	375	T10
SZ100L	100	+0 -0.5	28	+0.009 -0.004	60	31	8	+0 -0.036	7	+0 -0.090	24	+0 -0.2	160	140	63	12	192	38	170	50	12	265	180	325	T10
SZ90L	90	+0 -0.5	24	+0.009 -0.004	50	27	8	+0 -0.036	7	+0 -0.090	20	+0 -0.2	140	125	56	10	170	35	155	55	12	240	155	290	T10
SZ90S	90	+0 -0.5	24	+0.009 -0.004	50	27	8	+0 -0.036	7	+0 -0.090	20	+0 -0.2	140	100	56	10	170	35	155	55	12	240	155	290	T10
SZ80	80	+0 -0.5	19	+0.009 -0.004	40	21.5	6	+0 -0.030	6	+0 -0.030	15.5	+0 -0.2	125	100	50	10	156	34	125	32.5	12	220	145	240	T8

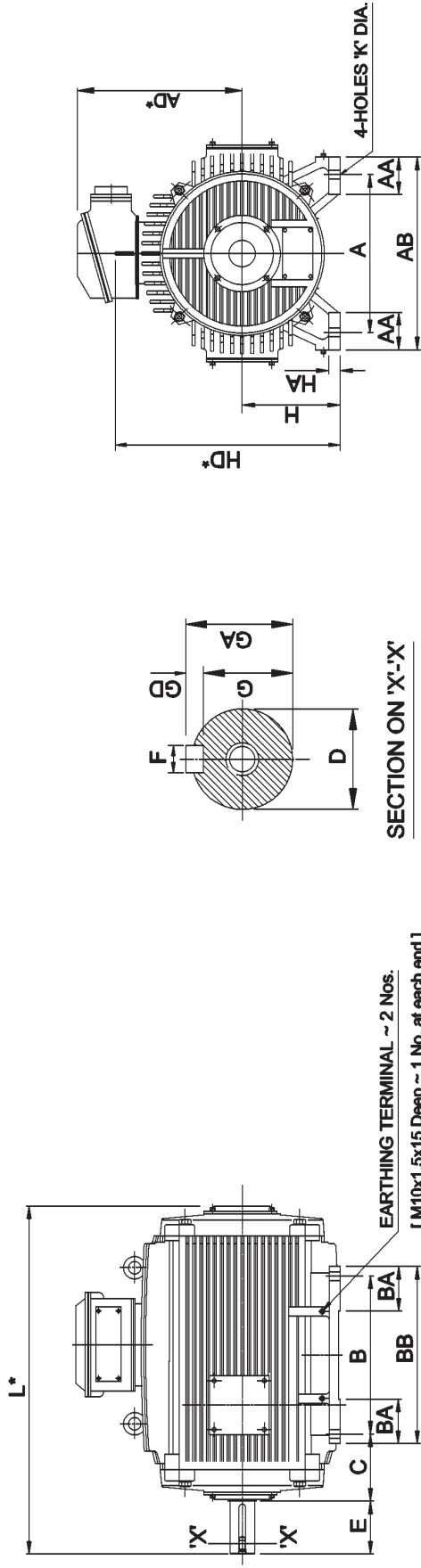
GA Drawing Smoke Spill Motors



SECTION-XX

FRAME SIZE	H CENTRE HEIGHT		D SHAFT DIA		E SHAFT EXTN.	F		GD		G		FIXING DIMENSIONS				K	AA	BB	BA	HA	HD*	AD*	L*	TAPPED CENTER HOLE AT SHAFT END (AS PER IS: 2540)	
	NOM	TOL	NOM	TOL		NOM	TOL	NOM	TOL	NOM	TOL	A	B	C											
SZ200L	200	+0 -0.5	55	+0.030 +0.011	110	59	16	+0 -0.043	10	+0 -0.090	49	+0 -0.2	318	305	133	19	400	88	356	88	35	460	395	680	T 20
SZ180L	180	+0 -0.5	48	+0.018 +0.002	110	51.5	14	+0 -0.043	9	+0 -0.090	42.5	+0 -0.2	279	279	121	15	344	65	330	105	25	425	315	630	T 16
SZ180M	180	+0 -0.5	48	+0.018 +0.002	110	51.5	14	+0 -0.043	9	+0 -0.090	42.5	+0 -0.2	279	241	121	15	344	65	330	105	25	425	315	630	T 16
SZ160L	160	+0 -0.5	42	+0.018 +0.002	110	45	12	+0 -0.043	8	+0 -0.090	37	+0 -0.2	254	254	108	15	300	60	304	95	20	385	300	580	T 16
SZ160M	160	+0 -0.5	42	+0.018 +0.002	110	45	12	+0 -0.043	8	+0 -0.090	37	+0 -0.2	254	210	108	15	300	60	304	95	20	385	300	580	T 16

GA Drawing Smoke Spill Motors



FRAME SIZE	POLE	H CENTRE HEIGHT		D SHAFT DIA.		E SHAFT EXTN.		GA		F		GD		G		FIXING DIMENSIONS				TAPPED CENTER HOLE AT SHAFT END (AS PER IS: 2540)							
		NOM	TOL	NOM	TOL	NOM	TOL	NOM	TOL	NOM	TOL	NOM	TOL	A	B	C	K	AB	AA		BB	BA	HA	HD*	AD*	L*	
SZ280M	4-8	280	0	75	+0.030	140	140	79.5	20	0	12	0	67.5	0	457	419	190	24	560	112	490	120	42	620	460	975	T20
SZ280M	2	280	0	65	+0.030	140	140	69	18	0	11	0	58	0	457	419	190	24	560	112	490	120	42	620	460	975	T20
SZ280S	4-8	280	0	75	+0.030	140	140	79.5	20	0	12	0	67.5	0	457	368	190	24	560	112	490	120	42	620	460	975	T20
SZ280S	2	280	0	65	+0.030	140	140	69	18	0	11	0	58	0	457	368	190	24	560	112	490	120	42	620	460	975	T20

1. For larger frames please refer to works.

2. For GAD with TEFC construction refer to works or refer our challenger catalog

Authorised Dealer/Distributor

marathon™



Paharpur Works
58, Taratala Road
Kolkata - 700024
Ph: 91 33 4403 0400
Fax: 91 33 2469 5369/8530

AEI Works
1, Taratala Road
Kolkata - 700024
Ph: 91 33 4403 0500
Fax: 91 33 2469 6988

www.marathonelectric.com

A Regal Brand

REGAL

www.regalbeloit.com