

# MD200HF AC DRIVE

## Open Loop High Frequency

### Features & Functions

- Open loop V/F control
- Starting torque of 150% at 3Hz
- Modbus or CANLink comms
- Automatic torque boost
- Slip compensation
- Simplified parameter for easy start up
- 2-Independent S-Ramps
- Flexible programmable I/O connection
- Variable DC-injection braking
- Comprehensive trip diagnostics
- Output frequency 500Hz
- In-Built Dynamic braking unit
- Frequency up to 1500 Hz

**NEW**

Wide operating voltage  
 Single Phase 220Vac  
 170 to 264Vac  
 0.4 ~2.2kW



**NEW**

Internal EMC Filter

Complies with EN61800-3  
 Category C2  
 2<sup>nd</sup> Environment

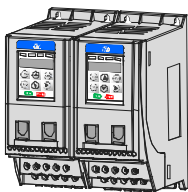
Operation in high  
 ambient temperature  
 45°C<sub>avg</sub>

Enhanced reliability  
 protection against  
 humidity and pollution  
 dust

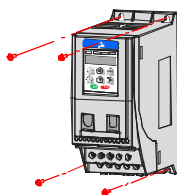


**NEW**

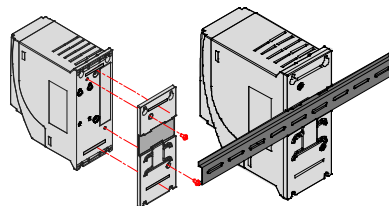
Flexible Installation Mode



Side-by-Side



Wall Mounted

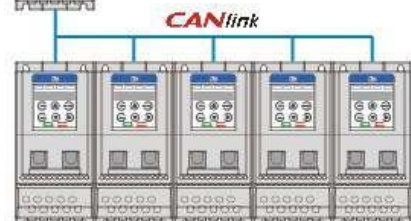


DIN Rail Mounted

Onboard Comms  
 Modbus / CANLink



CANlink speed sync.



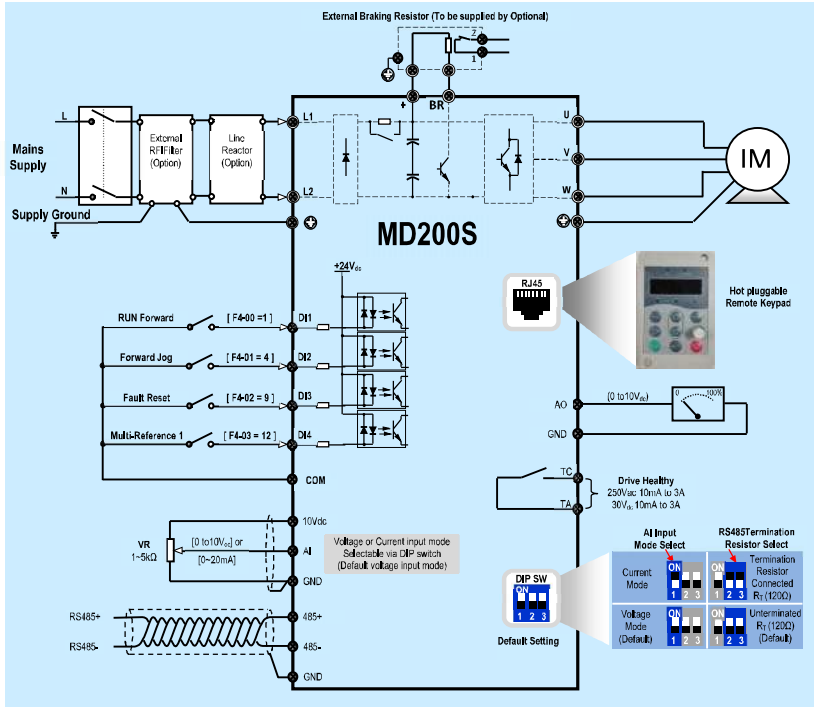
# General Specifications

Voltage class		Single Phase 220Vac				Three Phase 400Vac ( Under development )				
Drive Model: MD200xxxxB-INT		S0.4B	S0.75B	S1.5B	S2.2B	T0.75B	T1.5B	T2.2B	T3.7B	
Dimension	Height	[H1] : 180 mm				[H1] : 180 mm				
	Width	[W] : 75 mm				[W] : 75 mm				
	Depth	[D] : 145 mm				[D] : 145 mm				
Drive Input	Rated Input Voltage	Single Phase 200Vac to 240Vac, -15% to +10% (170Vac to 264Vac)				Three Phase 380 to 480V, -15% to +10% (323Vac to 528Vac)				
	Rated Input Current, [A]	6.5	11.0	18.0	27.0	3.4	5.0	5.5	11	
	Rated input frequency	50/60 Hz, ±5% (47.5 to 63Hz)								
Drive Output	Applicable Motor	[kW]	0.4	0.75	1.5	2.2	0.75	1.5	2.2	3.7
		[HP]	0.5	1	2	3	1	2	3	5
	Output Current, [A]*2	2.6	4.6	8	11	3.4	4.8	5.5	9.1	
	Power Capacity, [kVA]	1.7	3.0	4.8	7.1	1.7	3.0	4.8	7.1	
	Overload Capacity	150% for 60 Sec & 180% for 3 Sec								
	Max. output voltage	Three Phase 200Vac to 240Vac (Proportional to input voltage)				Three Phase 380Vac to 480Vac (Proportional to input voltage)				
	Max. output frequency	1500 Hz								
Braking Resistor	Recommended Power, [W]	80	80	100	100	150	250	300	400	
	Recommended Resistance, [Ω]	≥200	≥150	≥100	≥70	≥300	≥220	≥200	≥130	
Enclosure		IP 20								

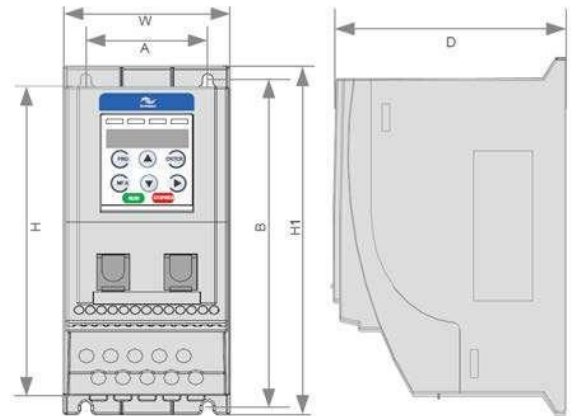
\*2Carrier switching frequency 6kHz at rated output current

\*\* All units are fan cooled

# General Connection Diagram



# Dimension



For more information, please contact our local offices.



**Hong Kong SAR**  
Inova Automation Co., Limited  
International Export Office  
Tel : (852) 2751 6080  
Fax : (852) 2751 6933  
info@inova-automation.com  
www.inova-automation.com

**Italy - Milan**  
Inova Automation Italy Srl  
Tel : (39) 02 2682 2318  
info@inova-automation.com

**India:**  
Inova Automation Pvt. Ltd.  
Head Office Chennai  
Tel : (91) 44 4380 0201  
Ahmedabad Tel : (91) 79 4003 4274  
Mumbai Tel : (91) 90 0496 0595  
New Dehli Tel : (91) 99 9092 8961  
info.inovaindia@inova-automation.com

**Turkey - Istanbul**  
Inova Automation Türkiye  
Tel : (90) 216 706 1789  
info.turkey@inova-automation.com