

SV820 Motors Series

Servo Drive System

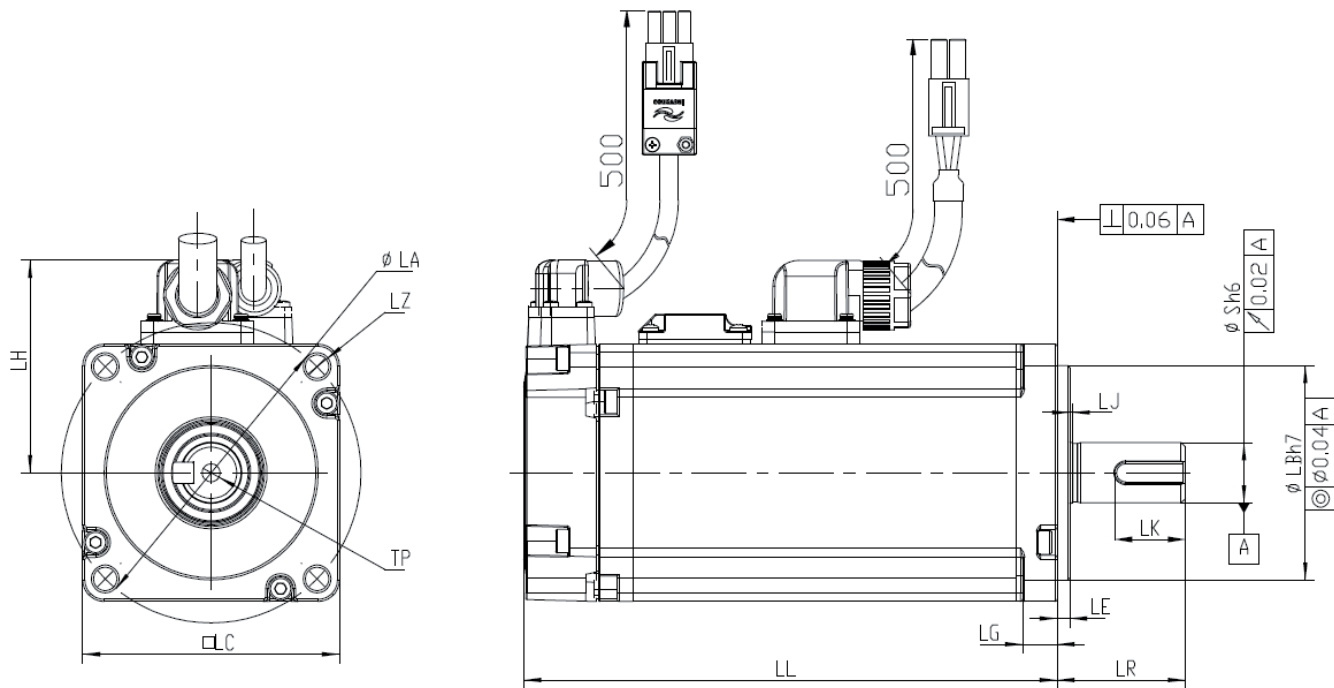


Inovance



SV820 Servo Drive Series

Robotic Applications



Power	MotorType		A6	
	MS1H1**	LL(mm)	Code	LL(mm)
50W	MS1H1-05B30CB-A330Z	65	MSMF5AZL1*2M	72
50W	MS1H1-05B30CB-A332Z	97		102
100W	MS1H1-10B30CB-A330Z	77,5	MSMF012L1*2M	92
100W	MS1H1-10B30CB-A332Z	109		122
200W	MS1H1-20B30CB-A331Z	72,5	MSMF022L1*2M	79,5
200W	MS1H1-20B30CB-A334Z	100		116
400W	MS1H1-40B30CB-A331Z	91	MSMF042L1*2M	99
400W	MS1H1-40B30CB-A334Z	119		135,5
400W	MS1H4-40B30CB-A331Z	105	MHMF042L1*2M	88
400W	MS1H4-40B30CB-A334Z	128		117,8
550W	MS1H1-55B30CB-A331Z	96	/	/
750W	MS1H1-75B30CB-A331Z	108	MSMF082L1*2M	112,2
750W	MS1H1-75B30CB-A334Z	140,5		148,2
1000W	MS1H1-10C30CB-A331Z	119	MSMF092L1*2M	127,2
750W	MS1H4-75B30CB-A331Z	118,5		95,4
750W	MS1H4-75B30CB-A334Z	148	MHMF082L1*2M	129

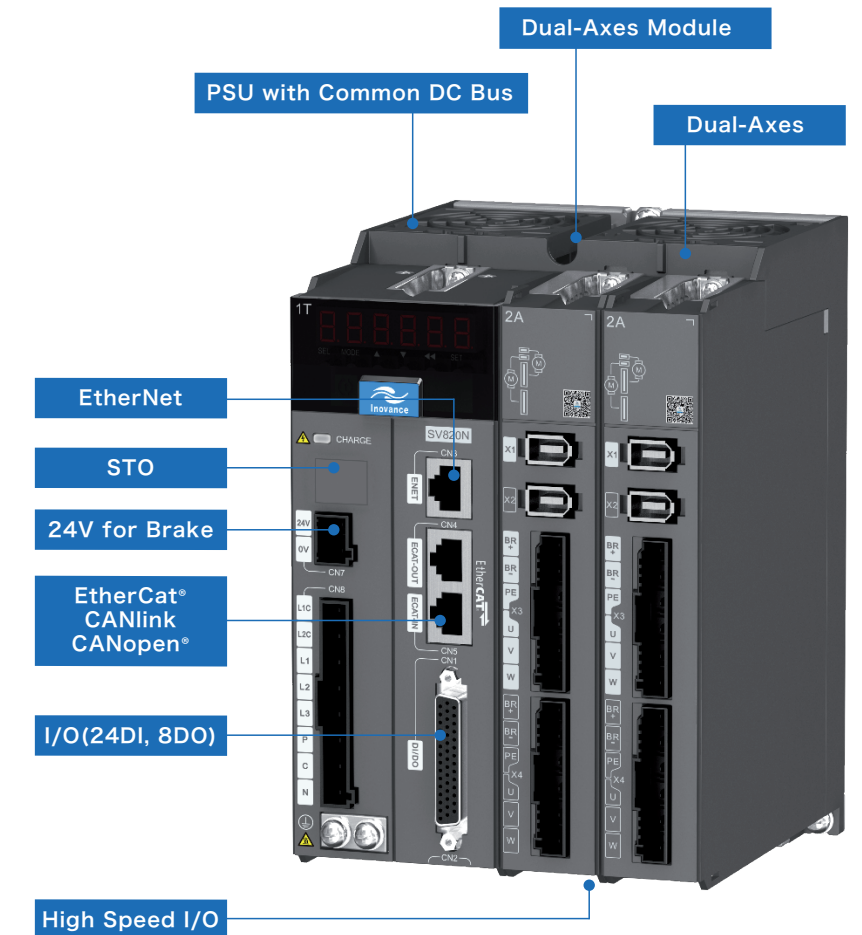
FEATURES & FUNCTIONS

Available Versions:

- 4 Axes
- 8 Axes
- From 0.1kW to 3kW

Highlights:

- Three phases 220Vac from 0.1kW to 1.0kW
- Three phases 400Vac from 1.0kW to 3.0kW
- Speed Loop Bandwidth >1200 Hz
- Ultra Fast Current Loop
- 4 Notch Filters
- Inertia Autotune
- Automatic Gain Calculation
- Low Resonance Filters
- Secondary Encoder Feedback
- Dynamic Braking at Power-Off
- 24 DI+8DO+4 Fast Inputs
- 23 bit Feedback Single/Multiturn Encoder



For more information, please contact our local offices.



Hong Kong SAR
Inova Automation Co., Ltd.
International Export Office
info@inova-automation.com
www.inova-automation.com

Italy
Inova Automation Italy srl
European Technology Centre
Milano
info@inova-automation.eu
www.inova-automation.eu

India
Inova Automation Pvt. Ltd.
Head Office Chennai
Ahmedabad, Mumbai, New Dehli
info.inovaindia@inova-automation.com
www.inova-automation.co.in

South Korea
Inova Automation Korea
Seoul
info@inova-automation.com
www.inova-automation.co.kr

Turkey
Inova Automation Co. Ltd. Turkey
Istanbul
info.turkey@inova-automation.com
www.inova-automation.com

Iran
Inova Automation Iran
Teheran
info.iran@inova-automation.com
www.inova-automation.com

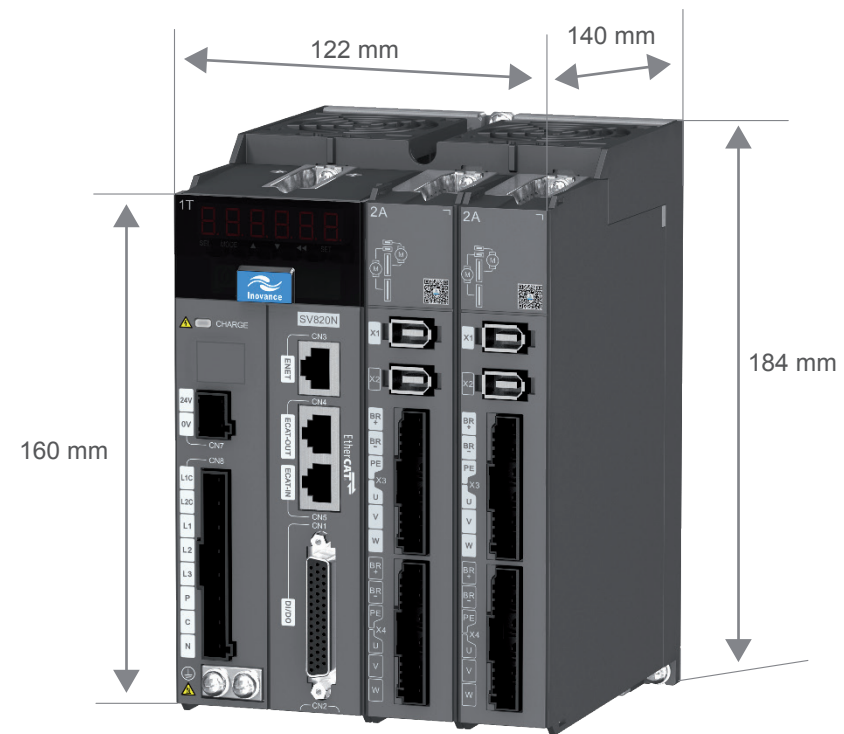


SV820 Series

Servo Drive System



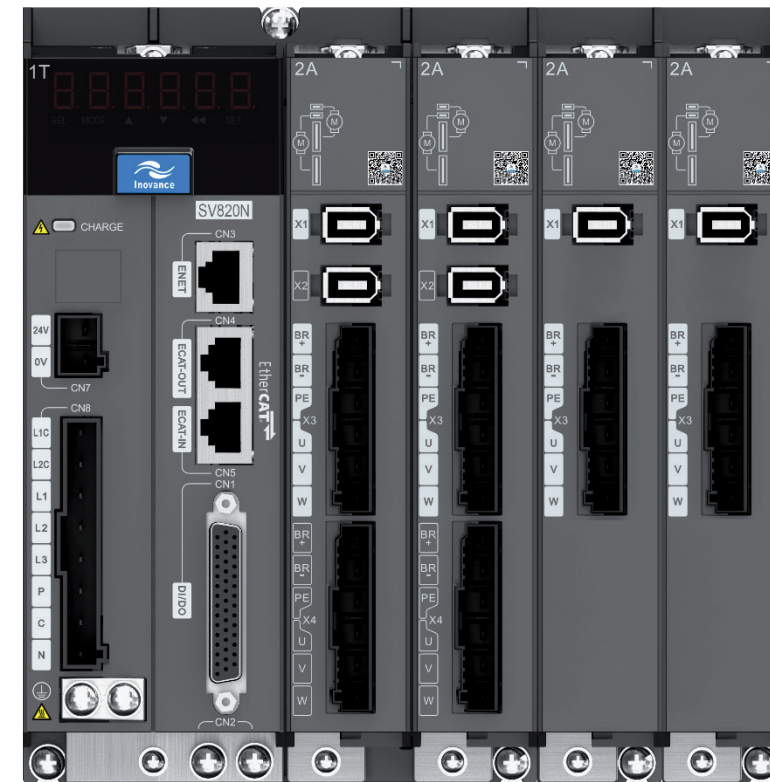
SV820 Servo Driver Dimensions



EtherCAT

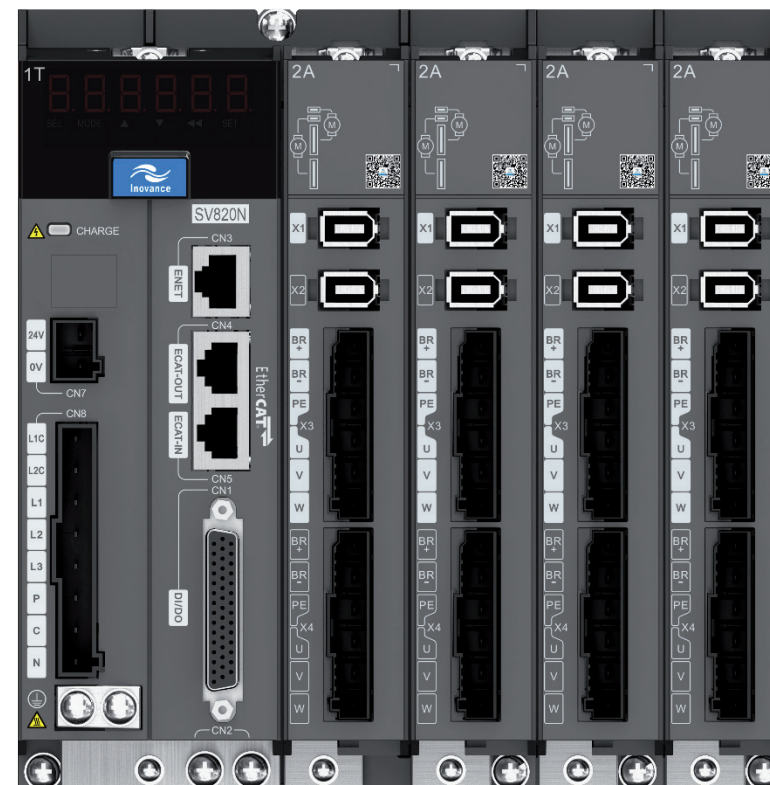
CANopen

Six Axes Configuration



- Six Axes
- 2x400W
 - 2x750W
 - 2x100W

Eight Axes Configuration



- Eight Axes
- 4x100W
 - 4x750W